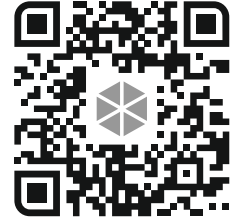


Quick installation guide

Full manual is available at www.satel.pl. Scan the QR code to go to our website and download the manual.



The device should be installed by qualified personnel.

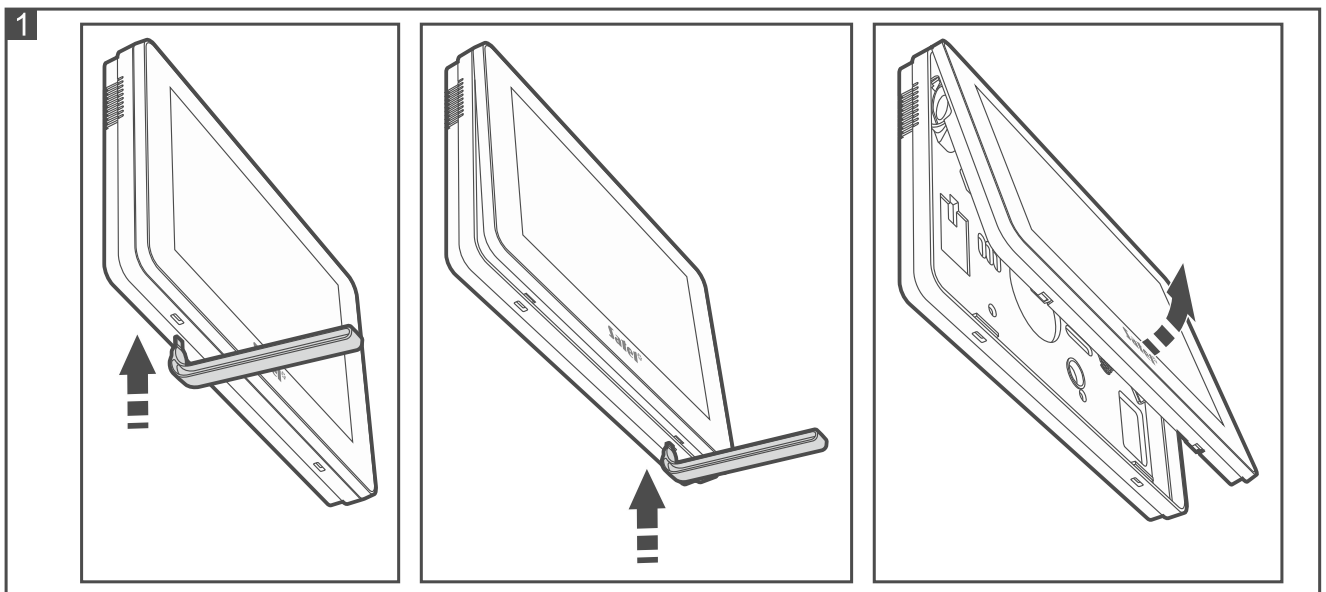
Changes, modifications or repairs not authorized by the manufacturer shall void your rights under the warranty.

Disconnect power before making any electrical connections.

This is a Class A product. In a domestic environment this product may cause radio frequency interference.

The keypad is designed for indoor installation. The place of installation should be readily accessible to the system users.

1. Open the keypad enclosure (Fig. 1). The enclosure opening tool, shown in the illustration, is included in the keypad delivery set.



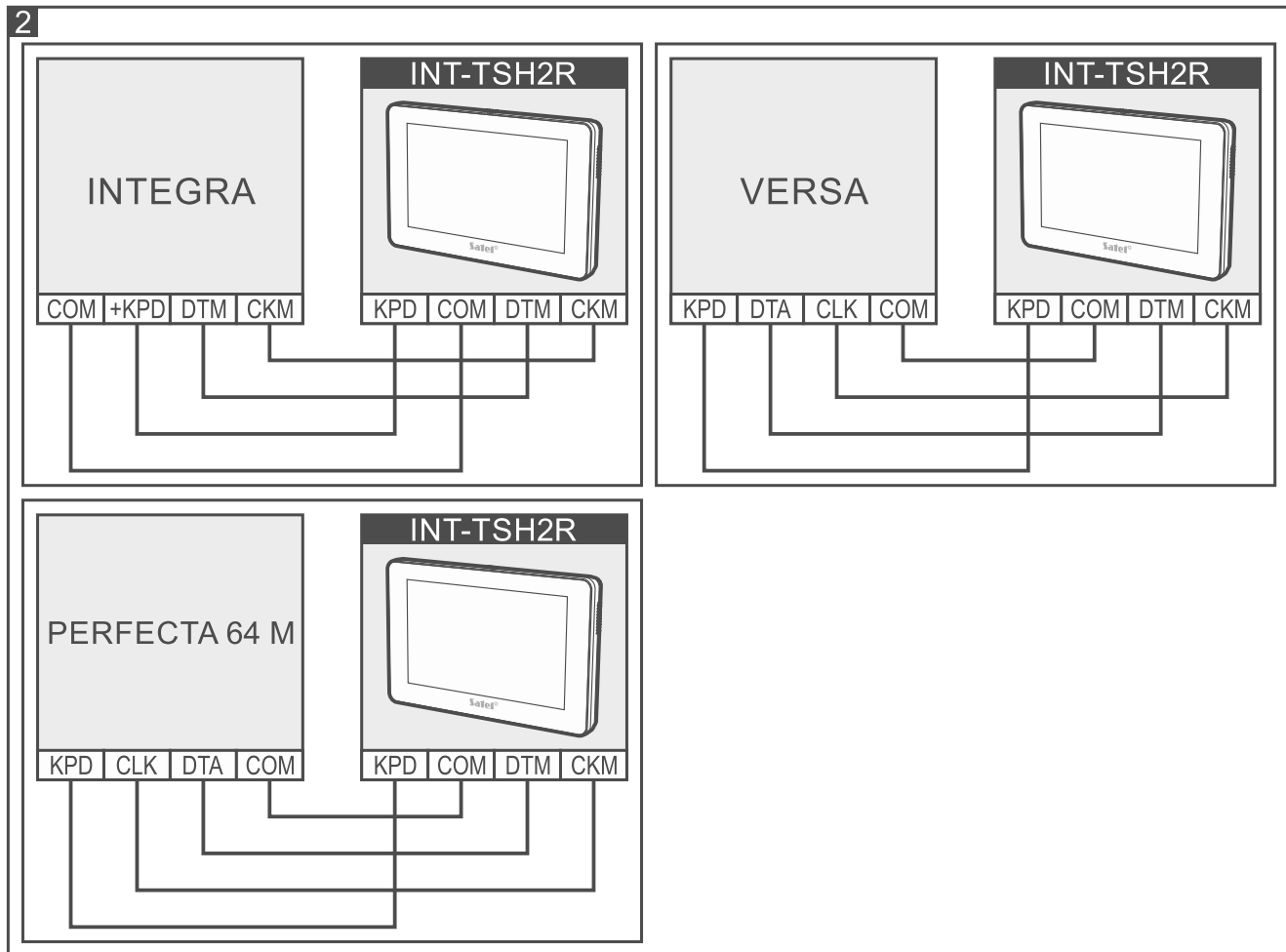
2. Place the enclosure base on the wall and mark the location of mounting holes.
3. Drill the holes for wall plugs (screw anchors).
4. Run the wires through the opening in the enclosure base.
5. Use wall plugs (screw anchors) and screws to fasten the enclosure base to the wall. Select wall plugs specifically intended for the mounting surface (different for concrete or brick wall, different for drywall, etc.).
6. Connect the DTM, CKM and COM keypad terminals to the appropriate terminals of the control panel communication bus (Fig. 2). If you use the twisted-pair type of cable, remember that CKM (clock) and DTM (data) must not be sent through one twisted-pair cable.



The bus wires must be run in one cable.

The length of cables must not exceed 300 m.

7. If you wish to connect any detectors to the Z1 and Z2 zones, connect the wires to the terminals (connect the detectors in the same way as to the control panel onboard zones).
8. Connect the supply wires to the KPD and COM terminals. The keypad can be powered directly from the control panel, from an expander with power supply or from an additional power supply unit.
9. Place the front panel onto the catches and snap close the enclosure.
10. Turn the power on, set the address and identify the keypad (see full installation manual).



Description of terminals

- KPD** - power supply input.
- COM** - common ground.
- DTM** - data.
- CKM** - clock.
- Z1, Z2** - zones.
- RSA, RSB** - terminals provided for future applications (RS-485).

Hereby, SATEL sp. z o.o. declares that the radio equipment type INT-TSH2R is in compliance with Directive 2014/53/EU. The full text of the EU declaration of conformity is available at the following internet address: www.satel.pl/ce