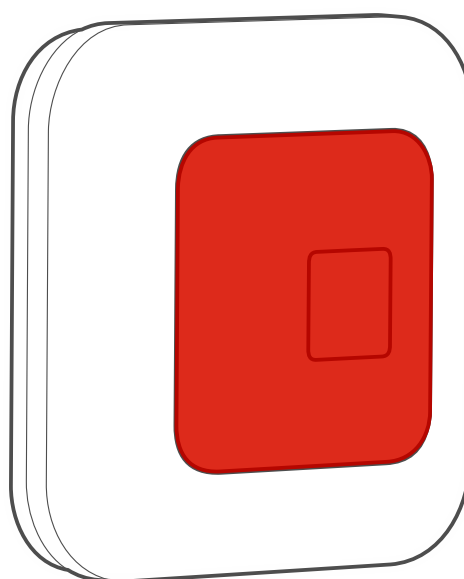


Remote alarm indicator

**WZ-110**

**EN**



wz-110\_en 04/24

**Satel** ®

SATEL sp. z o.o. • ul. Budowlanych 66 • 80-298 Gdańsk • POLAND  
tel. +48 58 320 94 00  
[www.satel.pl](http://www.satel.pl)

## IMPORTANT

The device should be installed by qualified personnel.

Prior to installation, please read carefully this manual in order to avoid mistakes that can lead to malfunction or even damage to the equipment.

Disconnect power before making any electrical connections.

Changes, modifications or repairs not authorized by the manufacturer shall void your rights under the warranty.

The following symbols may be used in this manual:



- note,



- caution.

The WZ-110 indicator LEDs are flashing when a detector or a group of detectors (at least one detector in the group) reports alarm. The indicator is designed for operation within conventional or addressable fire alarm systems.

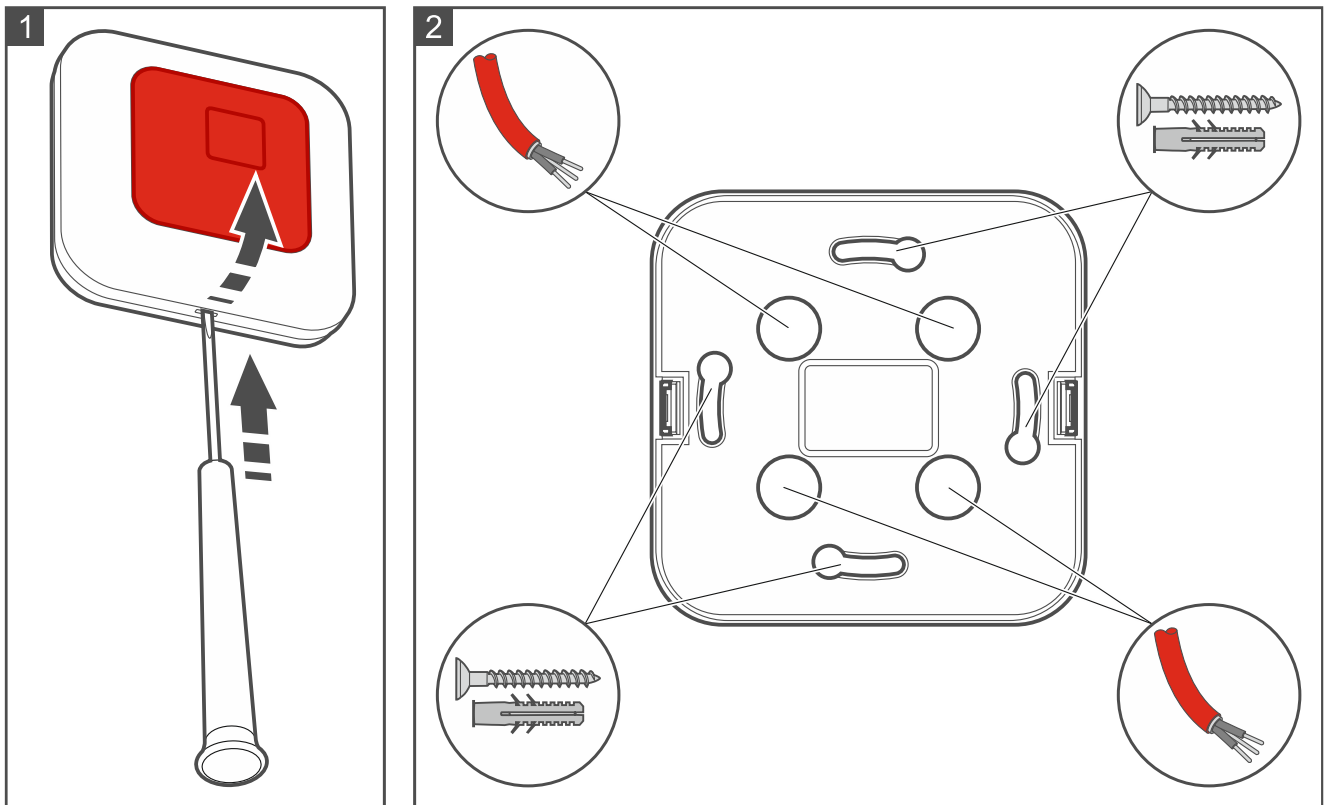
## 1. Installation



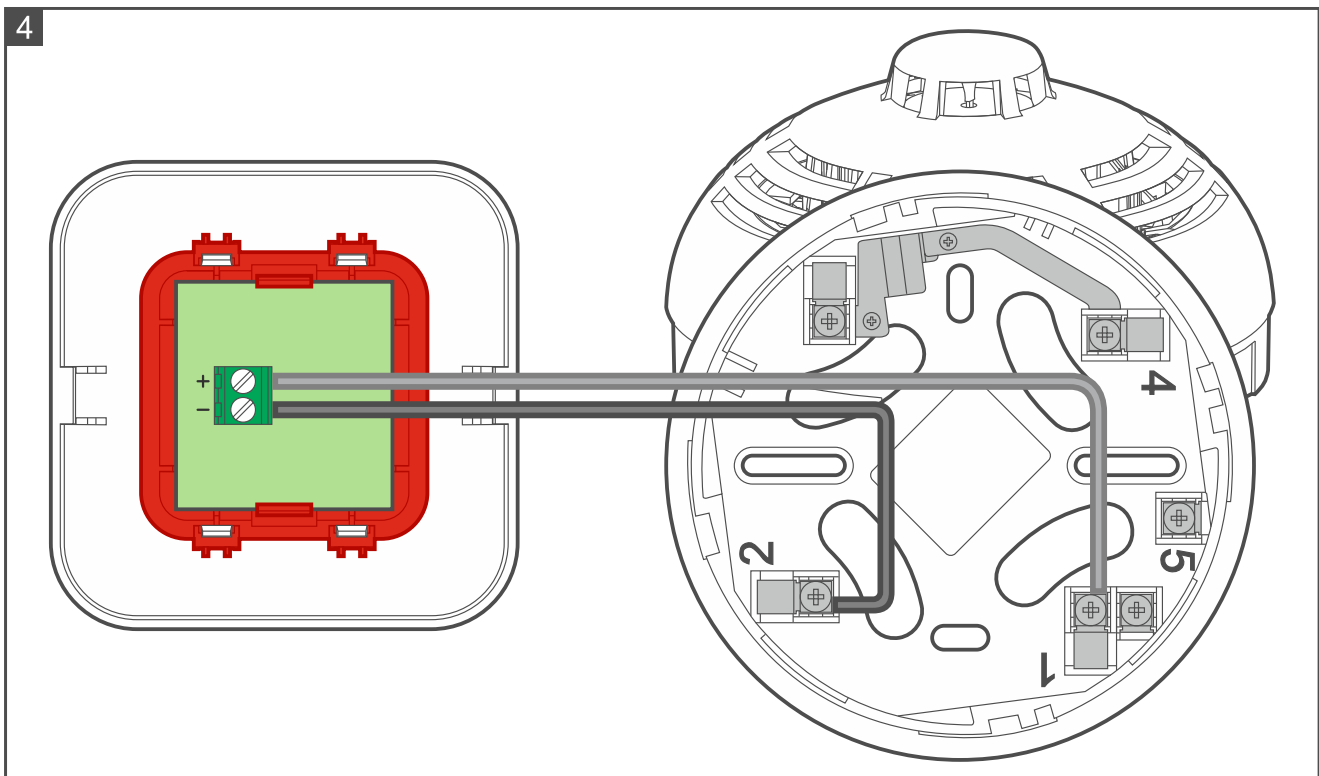
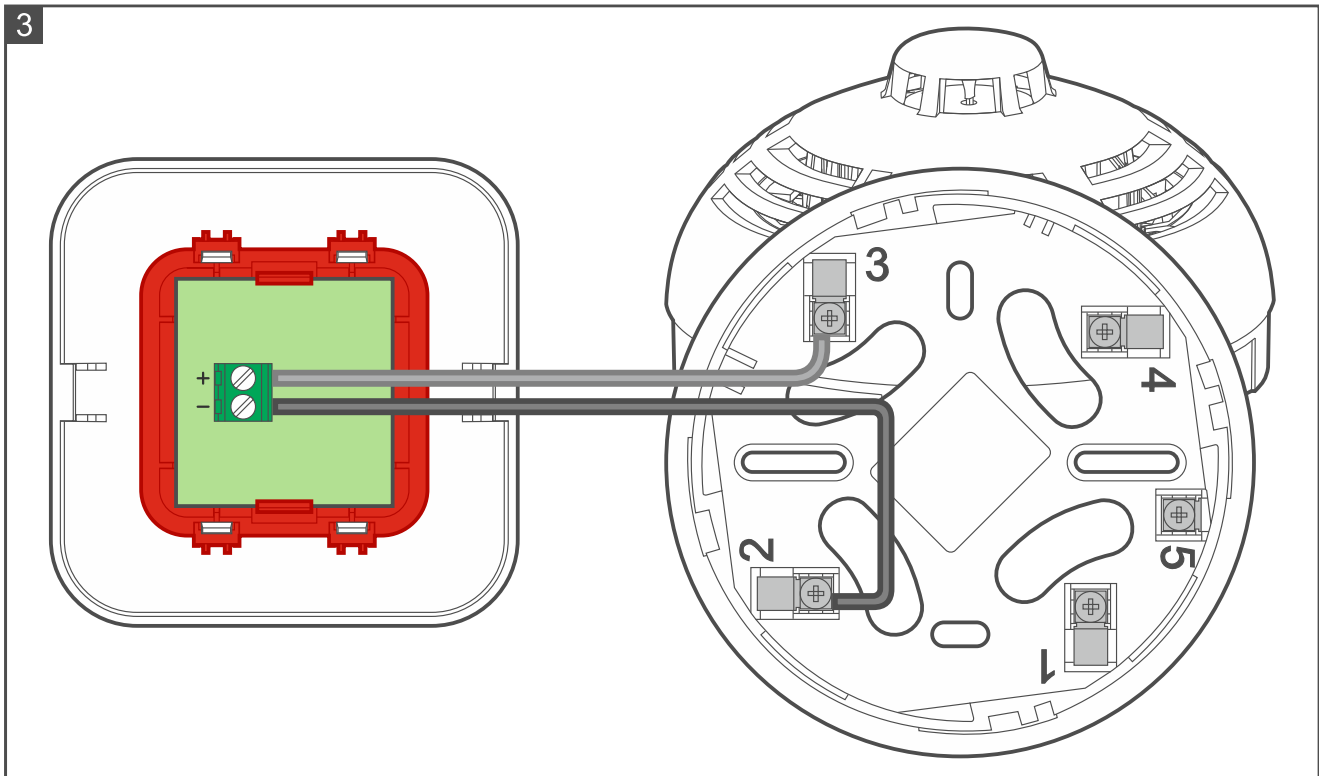
**Disconnect power before making any electrical connections.**

The indicator is designed for indoor installation, in spaces with normal air humidity. Select the place of installation so that the indicator is easily visible.

1. Open the enclosure (Fig. 1).
2. Place the enclosure base against the surface and mark the location of mounting holes (Fig. 2).
3. Drill the holes for plugs (screw anchors).
4. Run the cable through the hole in the enclosure base (Fig. 2).



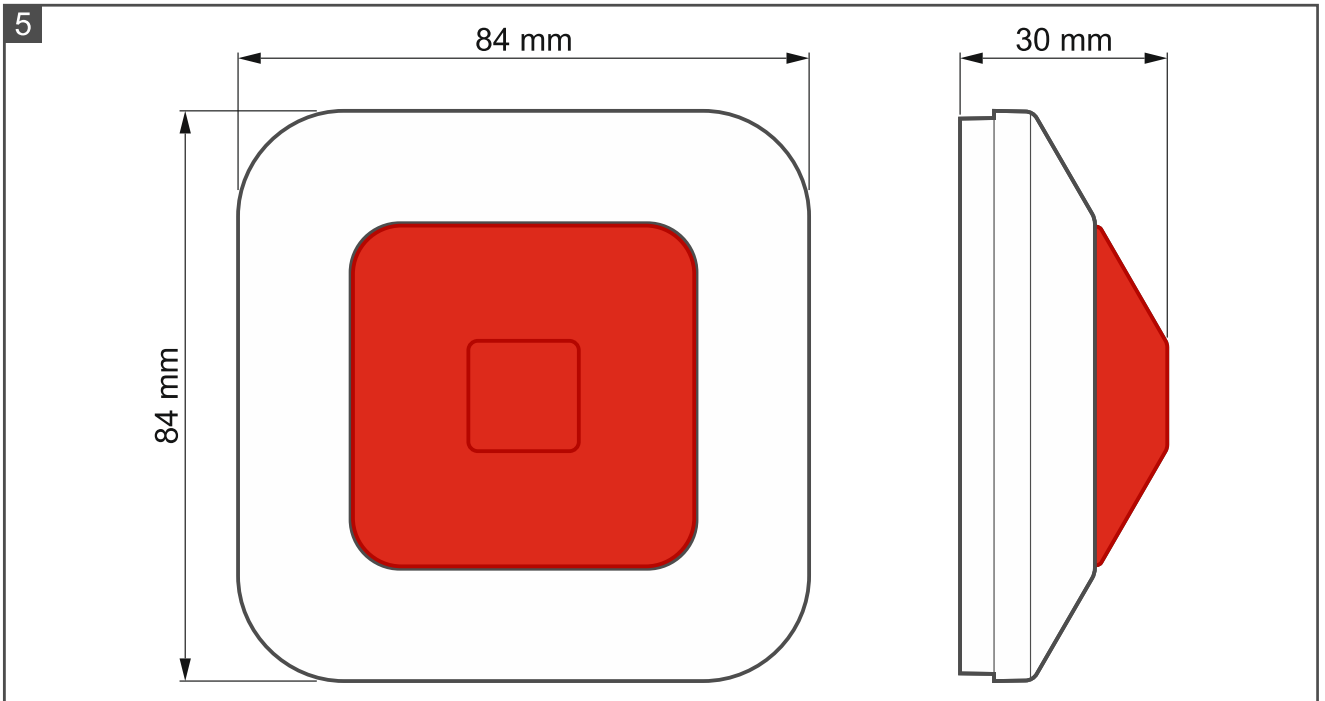
5. Using plugs (anchors) and screws, secure the enclosure base to the surface. Proper plugs must be selected for the type of mounting surface (different for concrete or brick wall, different for plaster wall, etc.).
6. Connect the wires to the corresponding terminals. Depending on the fire alarm system to which the indicator is to be connected:
  - conventional:** connect the terminal – [minus] to the terminal no 2 in the detector base, and the terminal + [plus] to the terminal no 3 or 4 in the detector base (Fig. 3),
  - addressable:** connect the terminal – [minus] to the terminal no 2 in the detector base, and the terminal + [plus] to the terminal no 1 in the detector base (Fig. 4).
7. Close the indicator enclosure.



## 2. Maintenance

The fire alarm system elements require regular maintenance. The WZ-110 indicator should be checked together with the detector to which the indicator is connected. The periodic checks should be carried out at least every 6 months. In spaces where working conditions are difficult (e.g. dust, aggressive environment that may cause corrosion, etc.), the periodic checks should be carried out more often.

As part of maintenance, make sure that the indicator LEDs are working. To do it, start a detector test in the control panel and test the detector to which the indicator is connected. Please go to the control panel manuals to find out how to start the test. Start of the test and test activation of devices will be registered in the control panel event log.



### 3. Specifications

---

Supply voltage .....	10...24 VDC
Average current consumption (from the detector).....	0.4 mA
IP code.....	IP 3X
Flashing frequency .....	2.4 Hz
Operating temperature range.....	-10°C...+55°C
Maximum humidity .....	93±3%
Enclosure dimensions.....	84 x 84 x 30 mm
Weight.....	56 g

The WZ-110 remote alarm indicator conforms to the essential requirements of the National Technical Assessment CNBOP-PIB-KOT-2021/0268-1002 (first edition of 30.06.2021) and the essential requirements of the directive:

**EMC 2004/108/WE** Electromagnetic Compatibility Directive.

The CNBOP-PIB Certification Body in Józefów issued the Certificate of Constancy of Performance 063-UWB-0366 for the WZ-110 type remote alarm indicator, confirming its compliance with the requirements of the National Technical Assessment.

The Certificate can be downloaded from the **www.satel.pl** website.

The National Declaration of Constancy of Performance no. 063-UWB-0366 of 2021-08-24 for the WZ-110 type remote alarm indicator can be downloaded from the **www.satel.pl** website.



21

SATEL Sp. z o.o. • ul. Budowlanych 66 • 80-298 Gdańsk • POLAND  
Certificate No. **063-UWB-0366**

The National Technical Assessment CNBOP-PIB-KOT-2021/0268-1002 (first edition of 30.08.2021)

Name and type: WZ-110 type remote alarm indicator  
Intended use: Fire safety – devices for use in buildings.

Essential characteristics of the construction product for the intended use	Declared performance	Notes
Design requirements	pass	pt. 3.3 of the National Technical Assessment
Labelling requirements	pass	pt. 3.1 of the National Technical Assessment
Signaling by the remote alarm indicator	pass	The remote alarm indicator LEDs flash to signal the alarm condition of the detectors connected to it.
Visibility of the remote alarm indicator	pass	The remote alarm indicator powered from the detector, with background illuminance up to 500 lx, is visible from a distance of 6 m directly in front of the indicator.
Resistance to cold	pass	Temperature: -10°C (± 3°C) Endurance: 16 hours
Resistance to dry heat	pass	Temperature: +55 (± 2°C) Endurance: 16 hours
Resistance to sulfur dioxide corrosion	pass	Temperature: +25 (± 2°C) Relative humidity: 93% (± 3%) SO <sub>2</sub> concentration: 25 ppm (± 5 ppm) Endurance: 504 hours (21 days)
Resistance to impact	pass	Impact energy: 0.5 J (±0.04J) Number of impacts per point: 3
Resistance to steady damp heat	pass	Temperature: +40°C (± 2°C) Relative humidity: 93% (± 3%) Endurance: 96 hours (4 days)
Protection against the ingress of foreign bodies provided by the enclosure	pass	IP 3X
Immunity to electrostatic discharge	pass	PN-EN 50130-4:2012 + A1:2015-03
RF electromagnetic field immunity	pass	PN-EN 50130-4:2012 + A1:2015-03
Immunity to electrical fast transients/bursts	pass	PN-EN 50130-4:2012 + A1:2015-03
Surge immunity	pass	PN-EN 50130-4:2012 + A1:2015-03
Immunity to conducted disturbances induced by radio frequency fields	pass	PN-EN 50130-4:2012 + A1:2015-03